

ANP155 Series

Class II Dual Channel LED Power Supply



Features and Applications:

- Two (2) Independent Class II DC Outputs
- Highly Efficient Switching-Mode Technology
- Active PFC (Power Factor Corrected)
- Built For Outdoor Wet, Damp or Indoor Dry Applications
- Silicone Encapsulated For Wet Locations (Use UV approved Water-Tight Conduit and Fittings)
- Built-in EMI Filter For Low Noise
- Rugged Rain-Proof Aluminum Extruded Case - IP65 Rated
- Over-Current and Over-Voltage Protection With Auto-Recovery
- Output Voltage and Output Current Adjustable

All specifications are typical at nominal input, full load, at 25°C unless otherwise stated.

Electrical Specifications


INPUT

Input Voltage Range	90 - 264Vac
Frequency	47 - 63Hz
Input Current	max. 2.5A @90Vac/60Hz, full load
Inrush Current	70A typ. @230V, 25°C cold start
Efficiency	85% typ. @ full load, input 230Vac
Power Factor	≥0.95 at full load 115Vac

OUTPUT

Output Voltage Adjustment	-20% ~ +10%
Leakage Current	0.25mA @110Vac, 5mA @230Vac
Low Ripple & Noise Voltage	< 1% V output
Over Voltage Protection	<130% nominal voltage
Short Circuit Protection	Shutdown & Auto Recovery
OTP Protection	85°C ± 5°C @ Case Ambient
Start-up time	< 2 sec


Safety Certifications

UL	UL60950-1, UL1310 (Wet), UL8750 for UL1310, UL935
UL	UL879 (Sign Component Manual)  Approved to FKSZ2 (LED Display Driver)
TUV	EN60950-1, IP65 
CE	

General Specifications

Isolation Voltage	3000V AC
Switching Frequency	50K Hz
Weight	4.2 Kg (8.8lbs.) max.
Warranty Info	5 year
MTBF	> 100,000 Hours at 25° C
Robust Design	Guaranteed Full Load at 70° C Derate to 50% at 80° C UL Class II Wet Location

Environmental Specifications

Operating Temp	-30°C to +70°C full load
Storage Temp	-40°C to +85°C
Relative Humidity	5% to 95% (non-Condensing)
Enclosure	Outside case sealed per IP65
Cooling	Convection
RoHS	Compliant 

EMC

Conducted Emissions	EN55022,FCC part 15 level B
Radiated Emissions	EN55022,FCC part 15 level B

Amperor Inc.
11320 Neeshaw Dr.
Houston, TX 77065
1-281-807-3320
<http://www.amperor.com>

Amperor Europe Ltd..
30 Ballot Road
Irvine KA12 OHW Scotland, UK
44-(0)-1294-272400
<http://www.amperor.co.uk>

Intertek Corp., an Amperor Company
4th, Fl, Far East World Center
Hsin Tai Wu Road, Hsin-Chin
Taipei, Taiwan R.O.C.
886-2-2698-2239

ANP155 Series

Class II Dual Channel LED Power Supply



Order Information

Table1: ANP155 Series Model Output Specifications

Model	Output Voltage	# of Channels	Voltage On-board Potentiometer Adjustment Range	Current On-board Potentiometer Adjustment Range	OCP Trip Point	Max Combined Current	Max Output Power Watts
ANP155-12AC	+ 12V	2	-20 / +10 %	-70 / +0 %	5.0A	10A	120W
ANP155-15AC	+ 15V	2	-20 / +10 %	-70 / +0 %	4.0A	8A	120W
ANP155-19AC	+19V	2	-20 / +10 %	-70 / +0 %	3.16A	6.32A	120W
ANP155-24AC	+ 24V	2	-20 / +10 %	-70 / +0 %	3.13A	6.26A	150W
ANP155-30AC	+ 27V	2	-20 / +10 %	-70 / +0 %	2.5A	5A	150W
ANP155-36AC	+ 36V	2	-20 / +10 %	-70 / +0 %	2.08A	4.16A	150W
ANP155-48AC	+ 48V	2	-20 / +10 %	-70 / +0 %	1.56A	3.12A	150W

Notes:

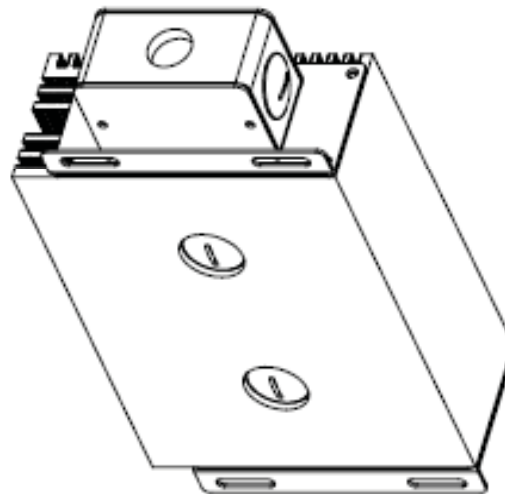
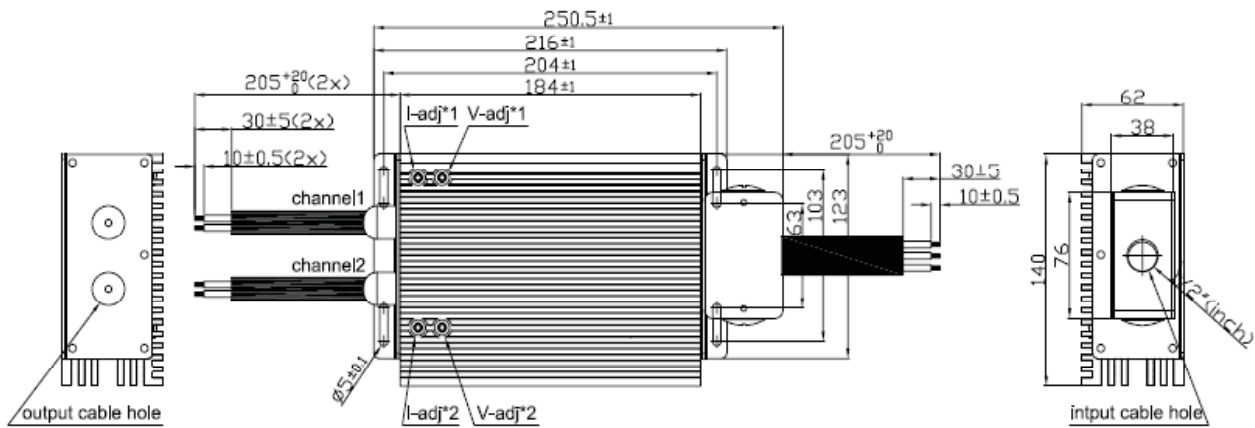
Each individual DC output channel will automatically shut down and auto-recover after an over-current limit (OCP) Trip event . The other output channel will be unaffected by a single channel OCP trip event as long as the over current for the individual channel measures less than 1X the OCP limit during it's auto recovery cycle . Only one output will Be shut down and placed into auto recovery mode as soon as the over current of any individual channel exceeds the 1X OCP limit.

ANP155 Series

Class II Dual Channel LED Power Supply



Mechanical Information



Notes: All dimensions in mm.

Amperor, Inc. DataSheet © 2009

The information and specifications contained in this data sheet are believed to be accurate at time of publication. Specifications are subject to change without notice.